

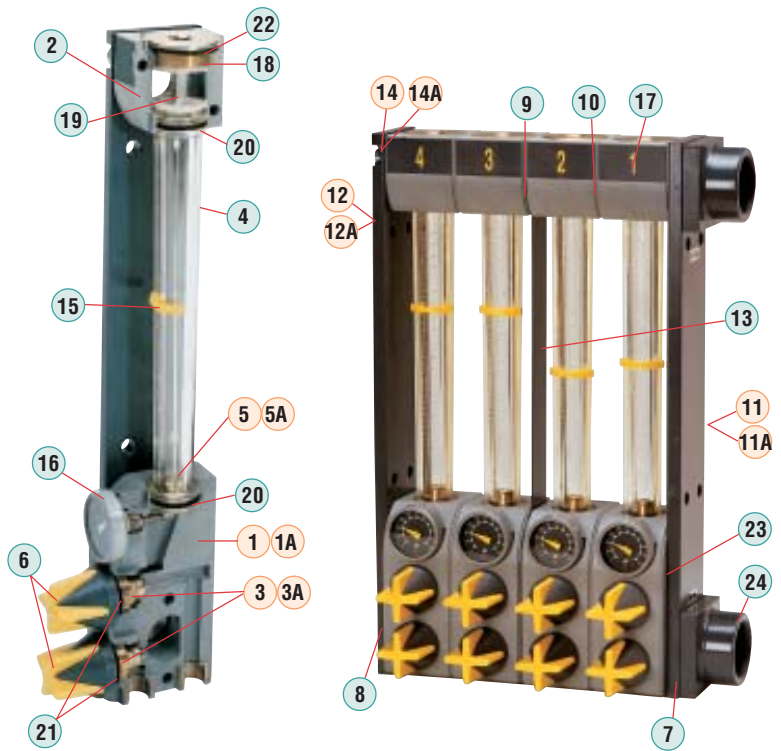


TEL: 800-543-6169
FAX: 216-535-4823

Spare Parts

Item #	Part #	Description
1	WFR2-002	Lower Manifold, 2.6 gpm unit
1A	WFR2L-002	Lower Manifold, 8 gpm unit
2	WFR2-001	Upper Manifold
3	WFR-006	Control Valve Complete, 2.6 gpm unit
3A	WFR-006	Control Valve Complete, 8 gpm unit
4	WFR2-005	Sight Glass Complete
5	WFR2-013	Float, 2.6 gpm unit
5A	WFR-013	Float, 8 gpm unit
6	WFR2-003	Adjusting Knob
7	WFR-011	O-ring, 39 x 2.5
8	WFR2-021	Plug KS G 3/4" (Incl. O-Ring)
9	WFR-026	Joint Ring, 35 x 28 x 5.8
10	WFR-015	Joint Ring, 35 x 28 x 4.8
11	WFR2-018	End Plate, Right, 2.6 gpm unit
11A	WFR2L-018	End Plate, Right, 8 gpm unit
12	WFR2-018-L	End Plate, Left, 2.6 gpm unit
12A	WFR2L-018-L	End Plate, Left, 8 gpm unit
13	WFR2-019	Center Plate
14	WFR2-016-X	Bolt/Nuts (Specify # Zones), 2.6 gpm unit
14A	WFR2L-016-X	Bolt/Nuts (Specify # Zones), 8 gpm unit
15	WFR-009	Indicator Ring
16	WFR2-004	Thermometer
17	Call	Circuit Label (Specify # of Zones)
18	WFR2-027	Plug MS Incl. O-ring
19	WFR2-032	Distance Stop
20	WFR-010	O-ring, 26.65 x 2.62
21	WFR-012	O-ring, 23 x 2
22	WFR2-033	O-ring, 39 x 2.5
23	WFR2-034	Side Cover
24	WFR2L-021	Connecting Piece, G 1 1/4 incl. O-Ring

EMI Series 2003: 2.6 gpm units (Also Wittmann Series 101) & EMI Series 2008: 8 gpm units (Also Wittmann Series 301).



Clean-out brush also available: Part#: WFR-Brush.

Easy to Clean



↻ Just unscrew the top access cap and brush out the tubes without removing (brush is provided).

Sight glass tubes simply lift up through the frame. O-rings positively seal the top and bottom to prevent leaks. ⇄

Easy to Remove

