

Anodized Aluminum Water Manifolds

Part Number: A-2A2

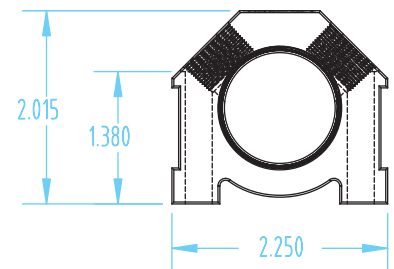
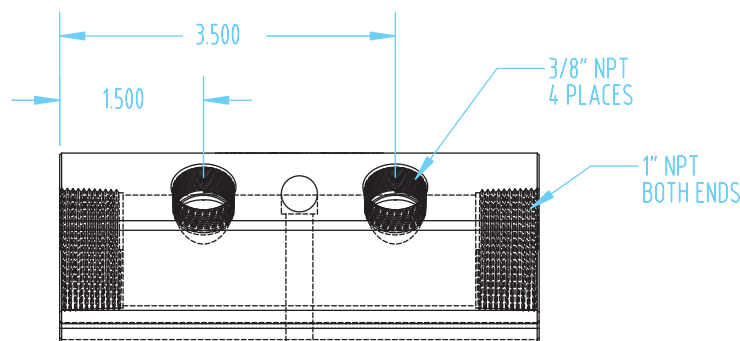
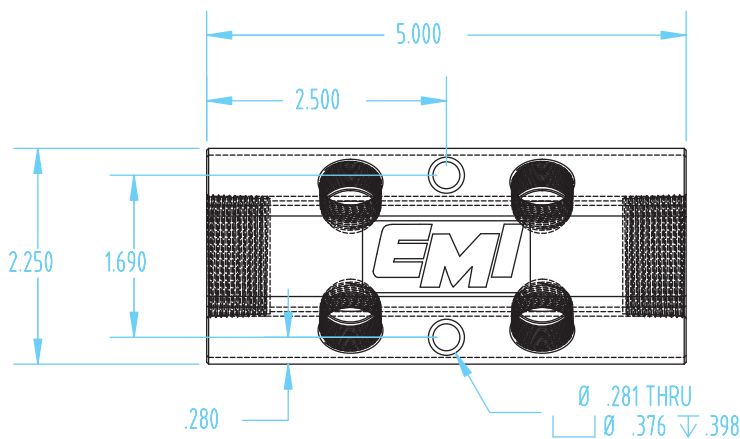
Quick Number: W011

Mount these Aluminum Manifolds on your molds and pre-plumb water outlets directly to the molds. The next time you run, just hook up the process hoses and you're ready to go! And, because they're aluminum, these EMI manifolds won't rust in storage.

Call 216-535-4848 or email Sales@EMIplastics.com to order.



Dimensions



Features:

- Constructed from solid cast aluminum for dependable corrosion-free and rust-free operation
- Perfect for where water quality is poor
- Pressured rated to 120 psi
- Temperature rated to 180° F
- Brass ball valves are self-cleaning for low maintenance
- Valves are reinforced with PTFE seats for lubrication-free operation