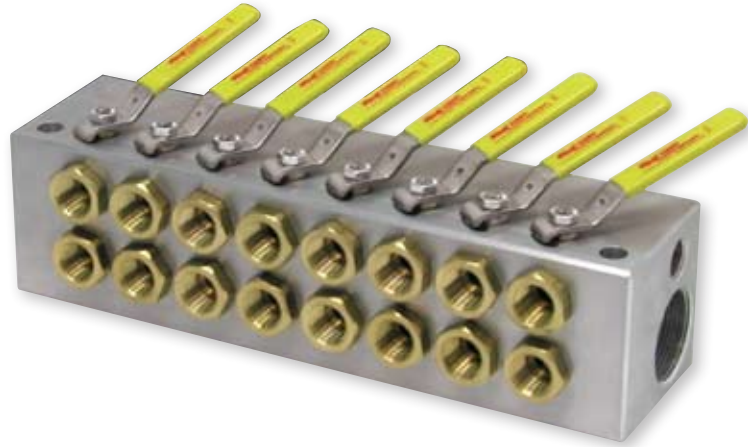


Synchronized Aluminum Water Manifolds

Part Number: AMSP8

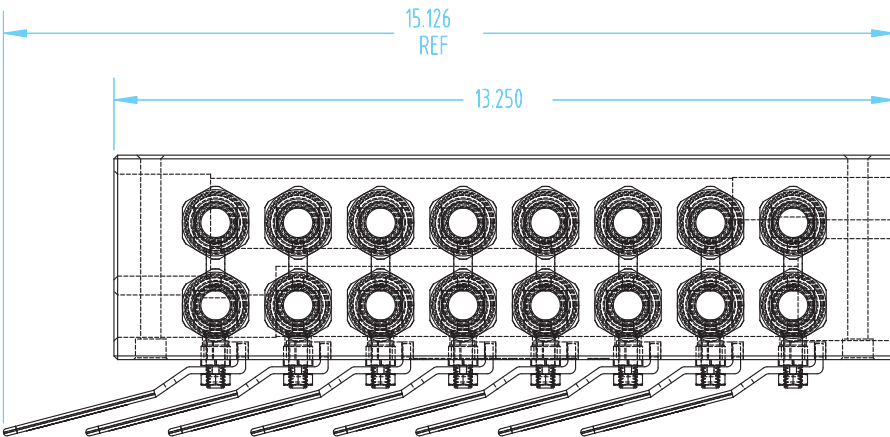
Quick Number: W010

Cost-effective and compact, Synchronized Water Manifolds save time by opening and closing 'to' and 'from' circuits simultaneously. Know with certainty when both sides of the mold circuit are open/closed, avoiding spills and preventing scrap parts.



Call 216-535-4848 or email Sales@EMIplastics.com to order.

Dimensions



Features:

- Constructed from solid cast aluminum for dependable corrosion-free and rust-free operation
- Perfect for where water quality is poor
- Pressured rated to 120 psi
- Temperature rated to 180° F
- Brass ball valves are self-cleaning for low maintenance
- Valves are reinforced with PTFE seats for lubrication-free operation

