

# Synchronized Aluminum Water Manifolds

Part Number: AMSP4

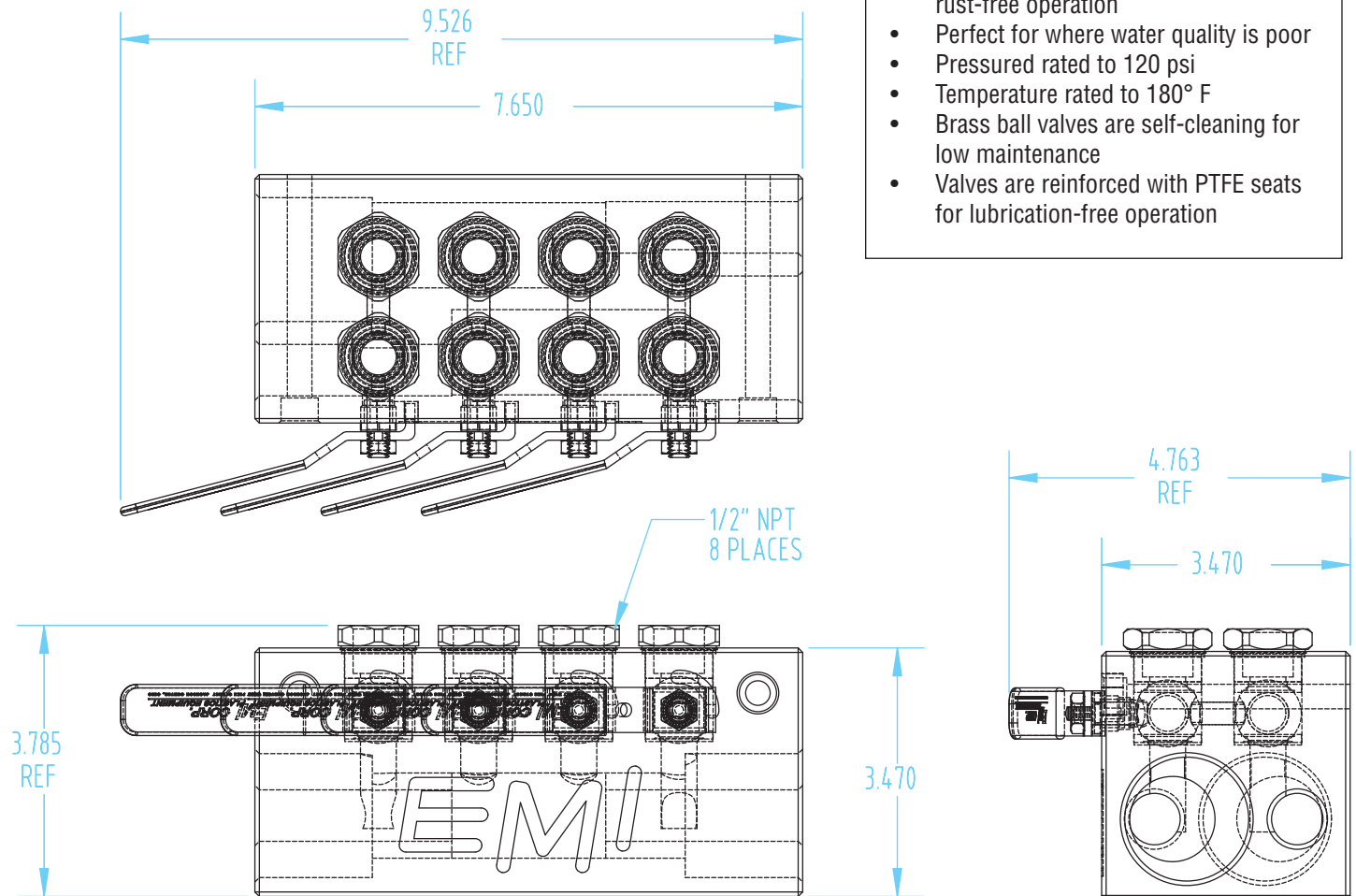
Quick Number: W008

**Cost-effective and compact**, Synchronized Water Manifolds save time by opening and closing 'to' and 'from' circuits simultaneously. Know with certainty when both sides of the mold circuit are open/closed, avoiding spills and preventing scrap parts.



Call 216-535-4848 or email [Sales@EMIplastics.com](mailto:Sales@EMIplastics.com) to order.

## Dimensions



## Features:

- Constructed from solid cast aluminum for dependable corrosion-free and rust-free operation
- Perfect for where water quality is poor
- Pressured rated to 120 psi
- Temperature rated to 180° F
- Brass ball valves are self-cleaning for low maintenance
- Valves are reinforced with PTFE seats for lubrication-free operation