

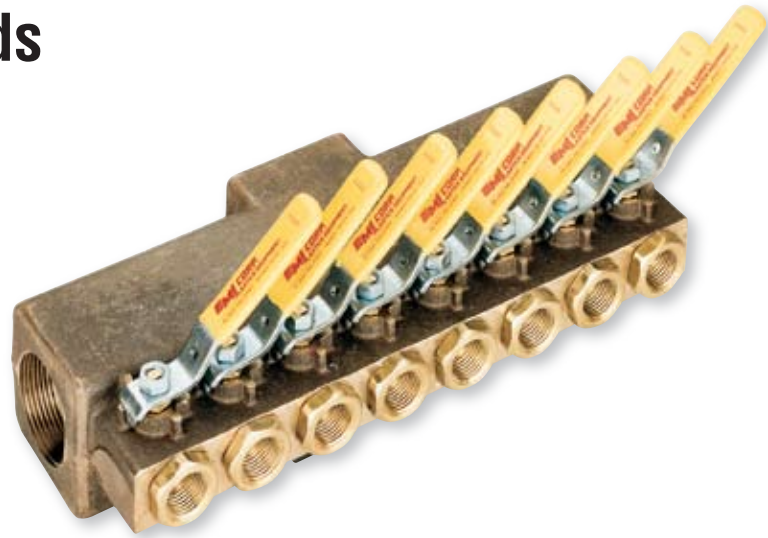
Bronze Water Manifolds

Part Number: VML-081-F24

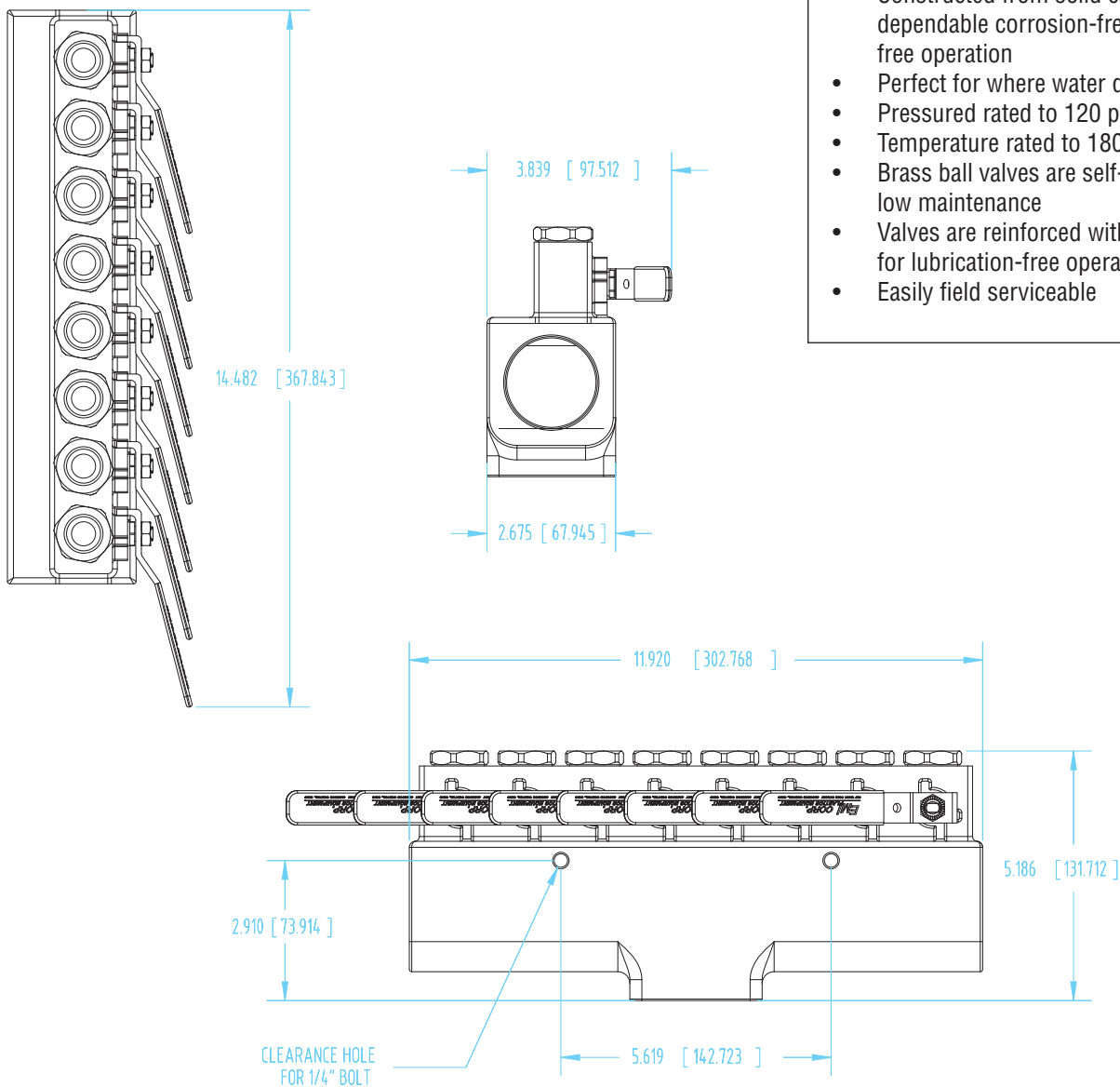
Quick Number: W007

EMI's Solid Bronze Cluster Manifolds are available from stock. Perfect for molders who prefer to have hoses in line and have the room to arrange them this way, these models provide the maximum number of connections in a compact, easily mounted configuration..

Call 216-535-4848 or email Sales@EMIplastics.com to order.



Dimensions



Features:

- Constructed from solid cast bronze for dependable corrosion-free and rust-free operation
- Perfect for where water quality is poor
- Pressured rated to 120 psi
- Temperature rated to 180° F
- Brass ball valves are self-cleaning for low maintenance
- Valves are reinforced with Teflon seats for lubrication-free operation
- Easily field serviceable