

Bronze Water Manifolds

Part Number: VMC-041-M12 & VMC-041-M16

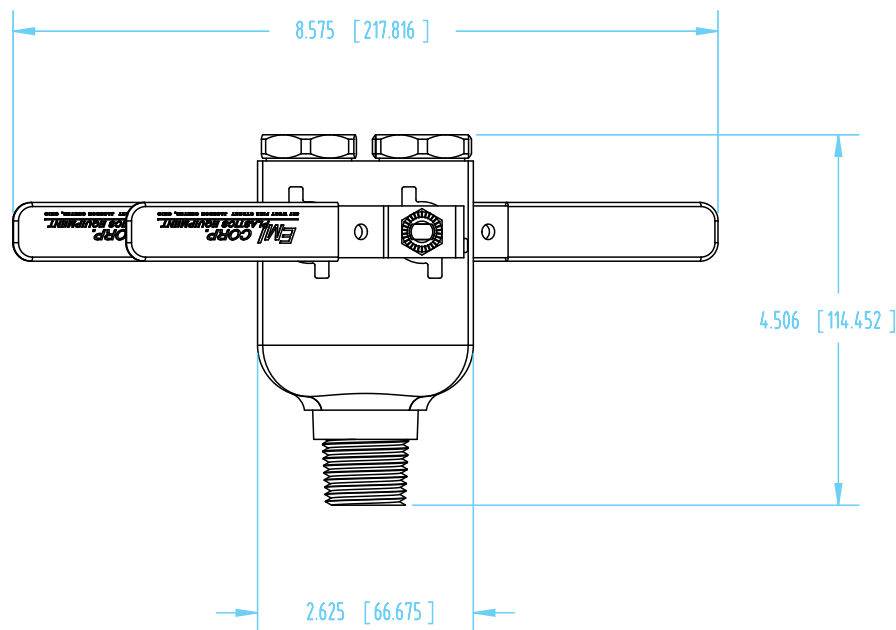
Quick Number: W001 & W002

EMI's Solid Bronze Cluster Manifolds are available from stock. Cluster-style valves let you fit your hose connections within the smallest space possible.



Call 216-535-4848 or email Sales@EMIplastics.com to order.

Dimensions



Features:

- Constructed from solid cast bronze for dependable corrosion-free and rust-free operation
- Perfect for where water quality is poor
- Pressured rated to 120 psi
- Temperature rated to 180° F
- Brass ball valves are self-cleaning for low maintenance
- Valves are reinforced with Teflon seats for lubrication-free operation
- Easily field serviceable

