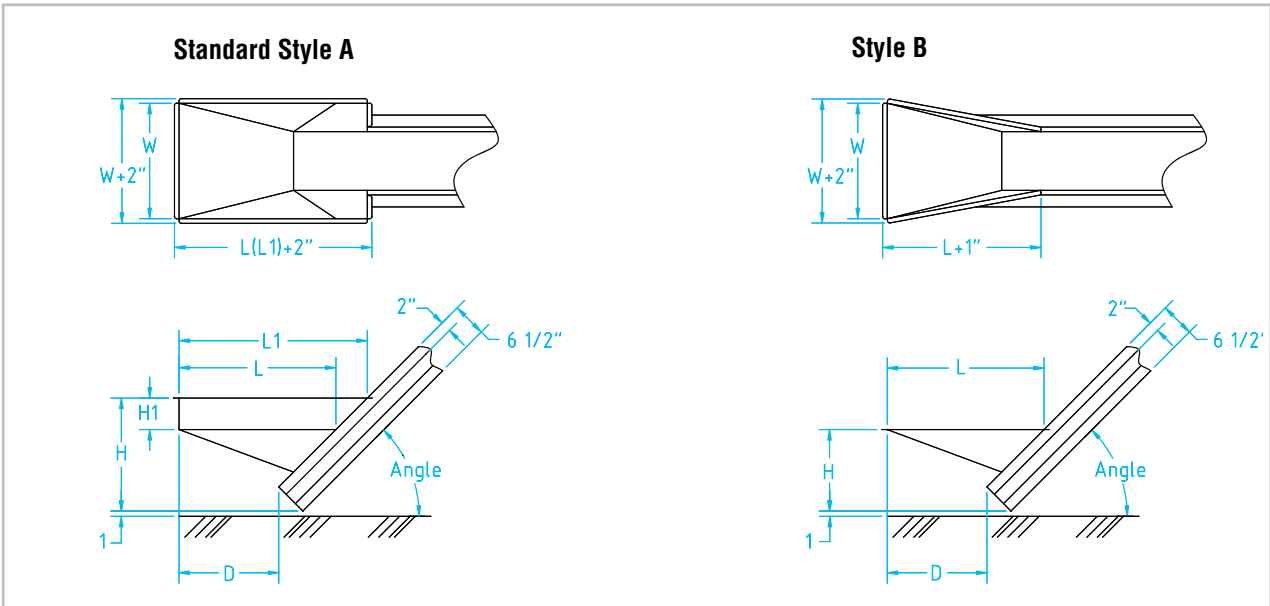


Accumulation Hoppers – for Trim Line Conveyors



2 1/2" FRAME TRIM LINE CONVEYORS

DIMENSIONS FOR 20° HOPPER						
Style	Option No.	D	H	H1	L	L1
A	H8-WIDTH-20	8.6	14.7	0	32	0
B	H8B-WIDTH-20	8.6	14.7	0	32	0
A	H9-WIDTH-20	5.4	18.7	0	40	0
B	H9B-WIDTH-20	5.4	18.7	0	40	0
A	H10-WIDTH-20	6	21.7	3	0	49
B	H10B-WIDTH-20	6	21.7	3	49	0
A	H11-WIDTH-20	3.4	26.7	7.5	0	60
B	H-11B-WIDTH-20	3.4	26.7	0	60	0
A	H12-WIDTH-20	9.4	30.7	12	0	77
B	H12B-WIDTH-20	9.4	30.7	0	77	0
A	H13-WIDTH-20	7.4	34.7	12	0	86
B	H13B-WIDTH-20	7.4	34.7	0	86	0

DIMENSIONS FOR 25° HOPPER						
Style	Option No.	D	H	H1	L	L1
A	H8-WIDTH-25	12.7	14.8	0	32	0
B	H8B-WIDTH-25	12.7	14.8	0	32	0
A	H9-WIDTH-25	12.2	18.8	0	40	0
B	H9B-WIDTH-25	12.2	18.8	0	40	0
A	H10-WIDTH-25	12.7	21.8	3	0	47
B	H10B-WIDTH-25	12.7	21.8	0	47	0
A	H11-WIDTH-25	13	26.8	8	0	58
B	H-11B-WIDTH-25	13	26.8	0	58	0
A	H12-WIDTH-25	8	34.8	12	0	70
B	H12B-WIDTH-25	8	34.8	0	70	0
A	H13-WIDTH-25	15.7	35.8	12	0	80
B	H13B-WIDTH-25	15.7	35.8	0	80	0

DIMENSIONS FOR 30° HOPPER						
Style	Option No.	D	H	H1	L	L1
A	H8-WIDTH-30	15.7	15	0	32	0
B	H8B-WIDTH-30	15.7	15	0	32	0
A	H9-WIDTH-30	3.6	22	0	32	0
B	H9B-WIDTH-30	3.6	22	0	32	0
A	H10-WIDTH-30	2.7	26	3.5	0	38
B	H10B-WIDTH-30	2.7	26	0	38	0
A	H11-WIDTH-30	3.4	32	9.5	0	49
B	H-11B-WIDTH-30	3.4	32	0	49	0
A	H12-WIDTH-30	13.4	36	10	0	66
B	H12B-WIDTH-30	13.4	36	0	66	0
A	H13-WIDTH-30	13.7	41	12	0	75
B	H13B-WIDTH-30	13.7	41	0	75	0

DIMENSIONS FOR 35° HOPPER						
Style	Option No.	D	H	H1	L	L1
A	H8-WIDTH-35	18	15.1	0	32	0
B	H8B-WIDTH-35	18	15.1	0	32	0
A	H9-WIDTH-35	4.5	23.1	0	30	0
B	H9B-WIDTH-35	4.5	23.1	0	30	0
A	H10-WIDTH-35	4.7	27.1	4	0	36
B	H10B-WIDTH-35	4.7	27.1	0	36	0
A	H11-WIDTH-35	5.2	33.1	10	0	45
B	H-11B-WIDTH-35	5.2	33.1	0	45	0
A	H12-WIDTH-35	5.4	42.1	6	0	58
B	H12B-WIDTH-35	5.4	42.1	0	58	0
A	H13-WIDTH-35	5.2	47.1	11	0	65
B	H13B-WIDTH-35	5.2	47.1	0	65	0

DIMENSIONS FOR 40° HOPPER						
Style	Option No.	D	H	H1	L	L1
A	H8-WIDTH-40	17.6	15.3	0	30	0
B	H8B-WIDTH-40	17.6	15.3	0	30	0
A	H9-WIDTH-40	8	23.3	0	30	0
B	H9B-WIDTH-40	8	23.3	0	30	0
A	H10-WIDTH-40	8.4	27.3	4	0	35
B	H10B-WIDTH-40	8.4	27.3	0	35	0
A	H11-WIDTH-40	8	33.3	10	0	42
B	H-11B-WIDTH-40	8	33.3	0	42	0
A	H12-WIDTH-40	7	45.3	6	0	55
B	H12B-WIDTH-40	7	45.3	0	55	0
A	H13-WIDTH-40	7	50.3	11	0	61
B	H13B-WIDTH-40	7	50.3	0	61	0

DIMENSIONS FOR 45° HOPPER						
Style	Option No.	D	H	H1	L	L1
A	H8-WIDTH-45	19	18	0	30	0
B	H8B-WIDTH-45	19	18	0	30	0
A	H9-WIDTH-45	11	26	0	30	0
B	H9B-WIDTH-45	11	26	0	30	0
A	H10-WIDTH-45	11	30	4	0	34
B	H10B-WIDTH-45	11	30	0	34	0
A	H11-WIDTH-45	11	37	10.5	0	41
B	H-11B-WIDTH-45	11	37	0	41	0
A	H12-WIDTH-45	13	48	6	0	54
B	H12B-WIDTH-45	13	48	0	54	0
A	H13-WIDTH-45	13	53	11	0	59
B	H13B-WIDTH-45	13	53	0	59	0