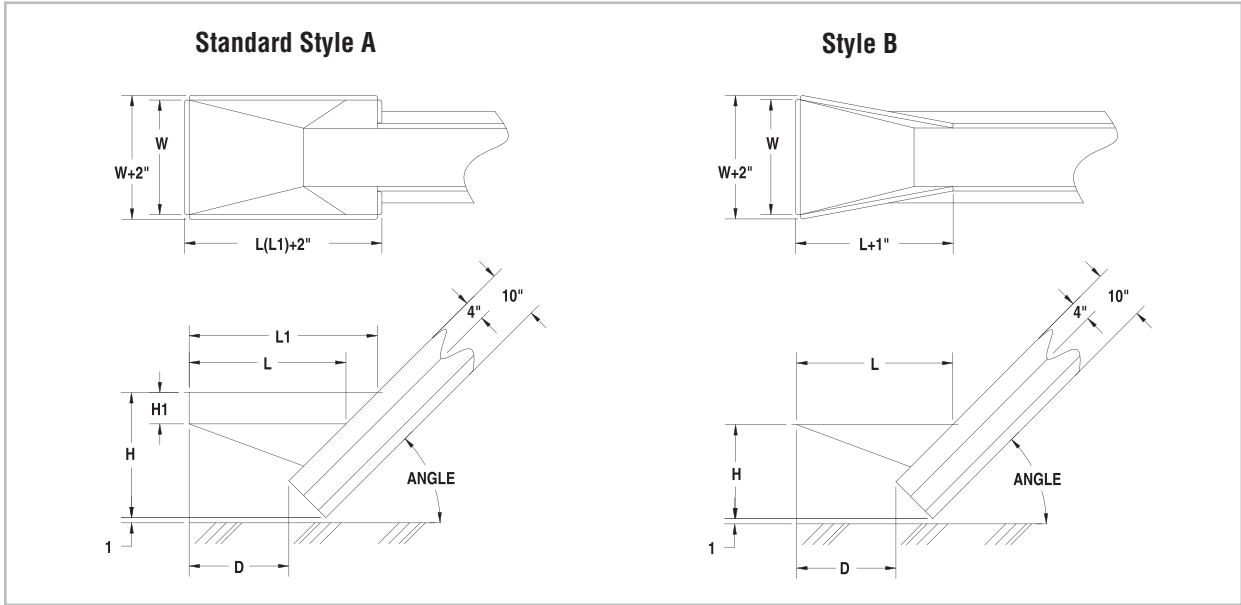


Accumulation Hoppers - for Signature and Merit line Conveyors



**DIMENSIONS FOR 20° HOPPER
4" FRAME CONVEYORS**

		DIMENSIONS					
STYLE	OPTION NO.	"D"	"H"	"H1"	"L"	"L1"	
A	H8-WIDTH-20	8.6	18	0	32	0	
B	H8B-WIDTH-20	8.6	18	0	32	0	
A	H9-WIDTH-20	5.4	22	0	40	0	
B	H9B-WIDTH-20	5.4	22	0	40	0	
A	H10-WIDTH-20	6	25	3	0	49	
B	H10B-WIDTH-20	6	25	0	49	0	
A	H11-WIDTH-20	3.4	30	7.5	0	60	
B	H-11B-WIDTH-20	3.4	30	0	60	0	
A	H12-WIDTH-20	9.4	34	12	0	77	
B	H12B-WIDTH-20	9.4	34	0	77	0	
A	H13-WIDTH-20	7.4	38	12	0	86	
B	H13B-WIDTH-20	7.4	38	0	86	0	
A	H14-WIDTH-20	8.6	18	0	32	0	
B	H14B-WIDTH-20	8.6	18	0	32	0	

**DIMENSIONS FOR 25° HOPPER
4" FRAME CONVEYORS**

		DIMENSIONS					
STYLE	OPTION NO.	"D"	"H"	"H1"	"L"	"L1"	
A	H8-WIDTH-25	12.7	18	0	32	0	
B	H8B-WIDTH-25	12.7	18	0	32	0	
A	H9-WIDTH-25	12.2	22	0	40	0	
B	H9B-WIDTH-25	12.2	22	0	40	0	
A	H10-WIDTH-25	12.7	25	3	0	47	
B	H10B-WIDTH-25	12.7	25	0	47	0	
A	H11-WIDTH-25	13	30	8	0	58	
B	H-11B-WIDTH-25	13	30	0	58	0	
A	H12-WIDTH-25	8	38	12	0	70	
B	H12B-WIDTH-25	8	38	0	70	0	
A	H13-WIDTH-25	15.7	39	12	0	80	
B	H13B-WIDTH-25	15.7	39	0	80	0	
A	H14-WIDTH-25	12.7	18	0	32	0	
B	H14B-WIDTH-25	12.7	18	0	32	0	

**DIMENSIONS FOR 30° HOPPER
4" FRAME CONVEYORS**

		DIMENSIONS					
STYLE	OPTION NO.	"D"	"H"	"H1"	"L"	"L1"	
A	H8-WIDTH-30	15.7	18	0	32	0	
B	H8B-WIDTH-30	15.7	18	0	32	0	
A	H9-WIDTH-30	3.6	25	0	32	0	
B	H9B-WIDTH-30	3.6	25	0	32	0	
A	H10-WIDTH-30	2.7	29	3.5	0	38	
B	H10B-WIDTH-30	2.7	29	0	38	0	
A	H11-WIDTH-30	3.4	35	9.5	0	49	
B	H-11B-WIDTH-30	3.4	35	0	49	0	
A	H12-WIDTH-30	13.4	39	10	0	66	
B	H12B-WIDTH-30	13.4	39	0	66	0	
A	H13-WIDTH-30	13.7	44	12	0	75	
B	H13B-WIDTH-30	13.7	44	0	75	0	
A	H14-WIDTH-30	15.7	18	0	32	0	
B	H14B-WIDTH-30	15.7	18	0	32	0	

**DIMENSIONS FOR 35° HOPPER
4" FRAME CONVEYORS**

		DIMENSIONS					
STYLE	OPTION NO.	"D"	"H"	"H1"	"L"	"L1"	
A	H8-WIDTH-35	18	18	0	32	0	
B	H8B-WIDTH-35	18	18	0	32	0	
A	H9-WIDTH-35	4.5	26	0	30	0	
B	H9B-WIDTH-35	4.5	26	0	30	0	
A	H10-WIDTH-35	4.7	30	4	0	36	
B	H10B-WIDTH-35	4.7	30	0	36	0	
A	H11-WIDTH-35	5.2	36	10	0	45	
B	H-11B-WIDTH-35	5.2	36	0	45	0	
A	H12-WIDTH-35	5.4	45	6	0	58	
B	H12B-WIDTH-35	5.4	45	0	58	0	
A	H13-WIDTH-35	5.2	50	11	0	65	
B	H13B-WIDTH-35	5.2	50	0	65	0	
A	H14-WIDTH-35	18	18	0	32	0	
B	H14B-WIDTH-35	18	18	0	32	0	

**DIMENSIONS FOR 40° HOPPER
4" FRAME CONVEYORS**

		DIMENSIONS					
STYLE	OPTION NO.	"D"	"H"	"H1"	"L"	"L1"	
A	H8-WIDTH-40	17.6	18	0	30	0	
B	H8B-WIDTH-40	17.6	18	0	30	0	
A	H9-WIDTH-40	8	26	0	30	0	
B	H9B-WIDTH-40	8	26	0	30	0	
A	H10-WIDTH-40	8.4	30	4	0	35	
B	H10B-WIDTH-40	8.4	30	0	35	0	
A	H11-WIDTH-40	8	36	10	0	42	
B	H-11B-WIDTH-40	8	36	0	42	0	
A	H12-WIDTH-40	7	48	6	0	55	
B	H12B-WIDTH-40	7	48	0	55	0	
A	H13-WIDTH-40	7	53	11	0	61	
B	H13B-WIDTH-40	7	53	0	61	0	
A	H14-WIDTH-40	17.6	18	0	30	0	
B	H14B-WIDTH-40	17.6	18	0	30	0	

**DIMENSIONS FOR 45° HOPPER
4" FRAME CONVEYORS**

		DIMENSIONS					
STYLE	OPTION NO.	"D"	"H"	"H1"	"L"	"L1"	
A	H8-WIDTH-45	19	18	0	30	0	
B	H8B-WIDTH-45	19	18	0	30	0	
A	H9-WIDTH-45	11	26	0	30	0	
B	H9B-WIDTH-45	11	26	0	30	0	
A	H10-WIDTH-45	11	30	4	0	34	
B	H10B-WIDTH-45	11	30	0	34	0	
A	H11-WIDTH-45	11	37	10.5	0	41	
B	H-11B-WIDTH-45	11	37	0	41	0	
A	H12-WIDTH-45	13	48	6	0	54	
B	H12B-WIDTH-45	13	48	0	54	0	
A	H13-WIDTH-45	13	53	11	0	59	
B	H13B-WIDTH-45	13	53	0	59	0	
A	H14-WIDTH-45	19	18	0	30	0	
B	H14B-WIDTH-45	19	18	0	30	0	